

R7824, R7847, R7848, R7849, R7851, R7861, R7886 Amplifiers for 7800 SERIES Relay Modules

PRODUCT DATA



APPLICATION

The R7824C Rectification Flame Amplifier is a solid state plug-in amplifier that responds to a rectified signal from a C7024E,F Self-Check Ultraviolet Flame Detector to indicate the presence of flame when used with the 24 Vdc RM7824 Relay Module.

The R7847A,B Rectification Flame Amplifiers are solid state plug-in amplifiers that respond to a rectified signal from a rectification type flame detector to indicate the presence of flame when used with 7800 SERIES Relay Modules.

The R7847C Self-Check Rectification Flame Amplifier is a solid state plug-in amplifier that responds to a rectified signal from a C7012E,F Self-Check Ultraviolet Flame Detector to indicate the presence of flame when used with 7800 SERIES Relay Modules. This is not European Community (CE) approved for EC7810, EC7820, EC/RM7830 or EC/RM7850 Relay Modules.

The R7848A,B Infrared Flame Amplifiers are solid state plug-in amplifiers that respond to an infrared signal from a C7015 Infrared Flame Detector to indicate the presence of flame when used with 7800 SERIES Relay Modules.

The R7849A,B Ultraviolet Flame Amplifiers are solid state plug-in amplifiers that respond to an ultraviolet signal from a C7027, C7035 or C7044 Ultraviolet Flame Detector to indicate the presence of flame when used with 7800 SERIES Relay Modules.

The R7851B Optical Flame Amplifiers are solid state plug-in amplifiers that respond to optical signals from C7927, C7935, C7915, and C7962 Flame Detectors to indicate the presence of flame when used with 7800 SERIES Relay Modules.

The R7851C Dynamic Self-Check Optical Flame Amplifier is a solid state plug-in amplifier that responds to ultraviolet signals from C7961E Dynamic Shutter-Check ultraviolet flame detectors to indicate the presence of flame when used with 7800 SERIES Relay Modules.

The R7861A Self-Check Ultraviolet Flame Amplifier is a solid state plug-in amplifier that responds to an ultraviolet signal from a C7061 Self-Check Ultraviolet Flame Detector to indicate the presence of flame when used with 7800 SERIES Relay Modules.

The R7886A Dynamic Self-Check Ultraviolet Amplifier is a solid state plug-in amplifier that responds to a pulsed direct current signal from a C7076A,C Ultraviolet Flame Detector with adjustable sensitivity to indicate the presence of flame when used with 7800 SERIES Relay Modules.

FEATURES

- Flame failure response time of 0.8 or 1 second; or 2.0 or 3.0 seconds, depending on the amplifier and relay module selected. See Table 1.
- Plug-in to 7800 SERIES Relay Module through printed circuit board edge connector keyed for proper orientation.
- Flame signal test jacks measure amplifier flame signal voltage.
- 0.0 to 5.0 Vdc Flame signal strength reading range.
- Color coded label identifies flame detection type:
 - Green—rectification. Red—infrared.
 - Purple—ultraviolet. Blue—pulsed rectification.
 - White—optical.
- R7847B, R7848B, R7849B Dynamic Ampli-Check® circuitry tests all flame amplifier components 12 times per minute. The 7800 SERIES Relay Module locks out on safety shutdown with amplifier failure.
- R7824C and R7847C Dynamic Self-Check Rectification Amplifier, R7851C Dynamic Self-Check Optical Flame Amplifier, R7861 Self-Check Ultraviolet Flame Amplifier and R7886A Dynamic Self-Check Ultraviolet Amplifier test the detectors and all electronic components in the flame detection system 12 times per minute. The 7800 SERIES Relay Module locks out on safety shutdown with flame detection system failure.

NOTE: R7824C, Series 2 or greater, and R7847C, Series 4 or greater, pulse shutter when signal of 1.5 Vac is sensed. Display readings of 0.7 to 2.4 Vdc are common.

Contents

Application	1
Features	1
Specifications	2
Ordering Information	2
Installation	4
Checkout	6



SPECIFICATIONS

Models:

Flame Detection Systems (see Table 2):

Rectification:

R7824C for use with C7024E,F Solid State Ultraviolet Detectors.

R7847A,B for use with flame rods or C7012A,C Solid State Ultraviolet Detectors.

R7847C for use with C7012E,F Solid State Ultraviolet Detectors.

Infrared:

R7848A,B for use with C7015 Infrared (lead sulfide) Detector.

Ultraviolet:

R7849A,B for use with C7027/C7035/C7044 Minipeeper Ultraviolet Detectors.

R7861A for use with C7061A Ultraviolet Detector.

R7886A for use with C7076A,D Ultraviolet Detectors with adjustable sensitivity.

Optical:

R7851B for use with C7927, C7935, C7915 and C7962 Flame Detectors.

R7851C for use with C7961E Flame Detectors.

NOTE: R7824C, Series 2 or greater, and R7847C, Series 4 or greater, pulse shutter when signal of 1.5 Vac is sensed. Display readings of 0.7 to 2.4 Vdc are common.

Flame Failure Response Time: See Table 1.

Flame Signal (Volts dc):

Minimum Acceptable: 1.25 Vdc.

Flame Signal Voltage Range (displayed on Keyboard Display Module or measured with a 1M ohm/volt meter plugged into amplifier test jacks): 0.0 to 5.0 Vdc.

Environmental Ratings:

Ambient Temperature:

Operating: -40°F to 140°F (-40°C to 60°C).

Storage: -40°F to 150°F (-40°C to 65°C).

Humidity: Operating 85% rh continuous, noncondensing.

Vibration: Continuous 0.5G environment.

Weight: 2.5 oz (71g), unpacked.

Dimensions: See Fig. 1

Approvals:

Underwriters Laboratories Inc. Listed: File no. MP268, Guide no. MCCZZ: R7847A, R7847B, R7847C, R7861A, R7886A, R7848A, R7848B, R7849A, R7849B, R7851B. (R7851C Pending.)

Underwriters Laboratories Inc. Component Recognized: File no. MP268, Guide no. MCCZZ: R7824C.

Canadian Standards Association Certified: LR95329-3. (R7851C Pending.)

Factory Mutual Approved: Report J.I.1V9A0.AF. (R7851B, Report Number 3011020, June 16 2003, R7851C Pending.)
Industrial Risk Insurers: Acceptable

Table 1. Relay Module Flame Failure Response Time (FFRT).

Relay Module	Flame Failure Response Time (FFRT) in seconds	
	0.8 or 1	2.0 or 3.0
EC7810, EC7820, EC/RM7830, EC/RM7850	1.0	2.0
EC/RM7823, EC/RM7885, EC/RM7890, EC/RM7895, RM7896, RM7888, RM7838, RM7800, RM7840	0.8	3.0
RM7824	N/A	3.0

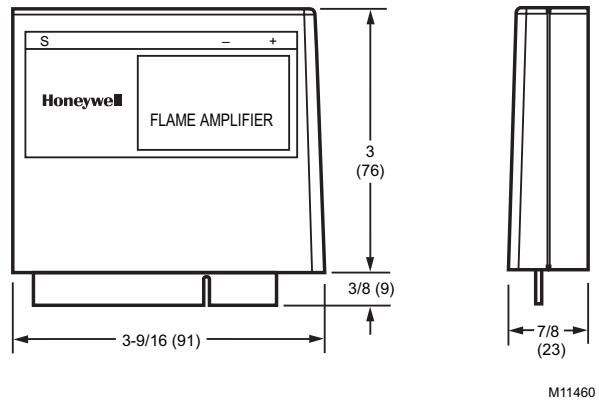


Fig. 1. Flame amplifier dimensions in in. (mm).

NOTE: EN298 Approved: When these amplifiers are used with an EC7810, EC7820, EC/RM7830, or EC/RM7850 Relay Module.

Accessories:

Flame Simulators:
Rectification: 123514A.
Ultraviolet: 203659.

Flame Detectors (ordered separately): select from Table 2.

ORDERING INFORMATION

When purchasing replacement and modernization products from your TRADELINE® wholesaler or distributor, refer to the TRADELINE® Catalog or price sheets for complete ordering number.

If you have additional questions, need further information, or would like to comment on our products or services, please write or phone:

1. Your local Honeywell Automation and Control Products Sales Office (check white pages of your phone directory).
2. Honeywell Customer Care
1885 Douglas Drive North
Minneapolis, Minnesota 55422-4386

In Canada—Honeywell Limited/Honeywell Limitée, 35 Dynamic Drive, Scarborough, Ontario M1V 4Z9.

International Sales and Service Offices in all principal cities of the world. Manufacturing in Australia, Canada, Finland, France, Germany, Japan, Mexico, Netherlands, Spain, Taiwan, United Kingdom, U.S.A.

Table 2. Flame Detection Systems.

Plug-in Flame Signal Amplifiers				Applicable Flame Detectors			
Type	Color	Self-Checking	Model	Flame Failure Response Time (sec) ^a	Fuel	Type	Models
Rectification	Green	Dynamic Self-Check	R7824C ^{b,c,h}	3	Gas, oil, coal	Ultraviolet (Purple Peeper®)	C7024E,F
		No	R7847A ^g	0.8/1 or 2/3	Gas	Rectifying Flame Rod Holders ⁱ	C7004, C7007, C7011 Complete Assemblies: C7008, C7009, Q179
		No	R7847A ^g	2/3	Gas, oil, coal	Ultraviolet (Purple Peeper®)	C7012A,C.
		Dynamic Ampli-Check®	R7847B ^{d,g}	0.8/1 or 2/3	Gas	Rectifying Flame Rod Holders ⁱ	C7004, C7007, C7011 Complete Assemblies: C7008, C7009, Q179
		Dynamic Ampli-Check®	R7847B ^{d,g}	2/3	Gas, oil, coal	Ultraviolet (Purple Peeper®)	C7012A,C
		Dynamic Self-Check	R7847C ^{c,e,h}	2/3	Gas, oil, coal	Ultraviolet (Purple Peeper®)	C7012E,F
Infrared	Red	No	R7848A	2/3	Gas, oil, coal	Infrared (Lead Sulfide)	C7015
		Dynamic Ampli-Check®	R7848B ^d	3	Gas, oil, coal	Infrared (Lead Sulfide)	C7015
Ultraviolet	Purple	No	R7849A	0.8/1 or 2/3	Gas, oil	Ultraviolet (Minipeeper)	C7027, C7035, C7044 ^f
		Dynamic Ampli-Check®	R7849B ^d	0.8/1 or 2/3	Gas, oil	Ultraviolet (Minipeeper)	C7027, C7035, C7044 ^f
		Dynamic Self-Check	R7861A ^{c,e}	0.8/1 or 2/3	Gas, oil, coal	Ultraviolet	C7061
	Blue	Dynamic Self-Check	R7886A ^{c,e}	2/3	Gas, oil, coal	Ultraviolet (Adjustable Sensitivity)	C7076
Optical	White	Dynamic Ampli-Check®	R7851B	0.8/1 or 2/3	Gas, oil, coal	Optical (UV, IR, Visible Light)	C7927, C7935, C7915, C7962
		Dynamic Self-Check	R7851C ^c	2/3	Gas, oil, coal	Optical (UV only)	C7961

^a Flame Failure Response Time (FFRT) depends on selection of amplifier and 7800 SERIES Relay Module.

^b R7824C is used only with the 24 Vdc RM7824 Relay Module and C7024E,F Flame Detectors.

^c Circuitry tests all electronic components in flame detection system (amplifier and detector) 12 times a minute during burner operation and shuts down burner if detection system fails.

^d Circuitry tests flame signal amplifier 12 times a minute during burner operation and shuts down burner if amplifier fails.

^e 200/220/240 Vac applications require a 120 Vac, 10 VA minimum stepdown transformer (not provided) to drive the shutter. Applies to R7847C series 3 or greater; R7886A series 2 or greater; R7861 series 1 or greater. Fig. 2 shows flame detector wiring.

^f Use C7027, C7035 and C7044 Flame Detectors only on burners that cycle on-off at least once every twenty-four hours. Use C7012E,F Flame Detector with R7847C Amplifier, C7061A Ultraviolet Detector with R7861A Amplifier or C7076A Flame Detector with R7886A Amplifier as ultraviolet flame detection system for appliances with burners that remain on continuously for twenty-four hours or longer.

^g R7847A,B Amplifiers with 0.8/1 second FFRT should **NOT** be used with C7012A,C Solid State Ultraviolet Detectors.

^h R7824C Series 2 and greater and R7847C Series 4 and greater check flame detector system when flame reaches 1.5 Vdc or at 4.5 seconds, whichever occurs first.

NOTE: R7824C, Series 2 or greater, and R7847C, Series 4 or greater, pulse shutter when signal of 1.5 Vac is sensed. Display readings of 0.7 to 2.4 Vdc are common.

ⁱ Order flame rod separately; see flame detector Instructions for holder.

CAUTION

Equipment Damage Hazard.
Incorrect combination of relay module, amplifier and flame detector can cause equipment damage.
 In infrared applications (C7015 Infrared Flame Detector and R7848 Amplifier) using the RM7890 Relay Module with software version 4004 or less requires a ten-second delay to start sequence. This applies only to the initial power of the RM7890.

INSTALLATION

When Installing this Product...

1. Read these instructions carefully. Failure to follow them could damage the product or cause a hazardous condition.
2. Check the ratings given in the instructions and on the product to make sure the product is suitable for your application.
3. Installer must be a trained, experienced, flame safeguard control technician.
4. After installation is complete, check out the product operation as provided in these instructions.

WARNING

Electric Shock Hazard.
Can cause electrical shock, serious injury or death.
 Disconnect the power supply before beginning installation. More than one power supply disconnection can be involved.

IMPORTANT

1. *Wiring must comply with all applicable codes, ordinances and regulations*
2. *Wiring (where required) must comply with NEC Class 1 (Line Voltage) wiring.*
3. *Perform all required checkout tests after installation is complete.*

CAUTION

Equipment Damage Hazard.
Can cause equipment damage.
 Disconnect 7800 SERIES Relay Module power before removing amplifier.

Installing Plug-In Flame Signal Amplifier (Fig. 2)

WARNING

Electric Shock Hazard.
Can cause severe injury, death or property damage.
 Disconnect the power supply before beginning installation. More than one power supply disconnection can be involved.

1. Align the amplifier circuit board edge connector with the keyed receptacle on the 7800 SERIES Relay Module. Be sure the amplifier nameplate faces away from the Relay Module.
2. Push in the amplifier until the circuit board is fully inserted into the receptacle and then push the amplifier toward the 7800 SERIES Relay Module retaining clasp.
3. Be sure the amplifier is firmly in place.
4. Perform all required checkout tests.

Installing Flame Detector

NOTE: Table 2 lists flame detection systems available for use with 7800 SERIES Relay Modules. Be sure to use the correct combination of amplifier and flame detector.

Proper flame detector installation is the basis of a safe and reliable flame safeguard installation. Refer to the Instructions packed with the flame detector and the equipment manufacturer instructions.

Keep the flame signal leadwires as short as possible from the flame detector to the wiring subbase. Capacitance increases with leadwire length, reducing the signal strength. The maximum permissible leadwire length depends on the type of flame detector, leadwire and conduit. However, the ultimate limiting factor for the flame detector leadwire is the flame signal; see Table 3 in the Checkout section.



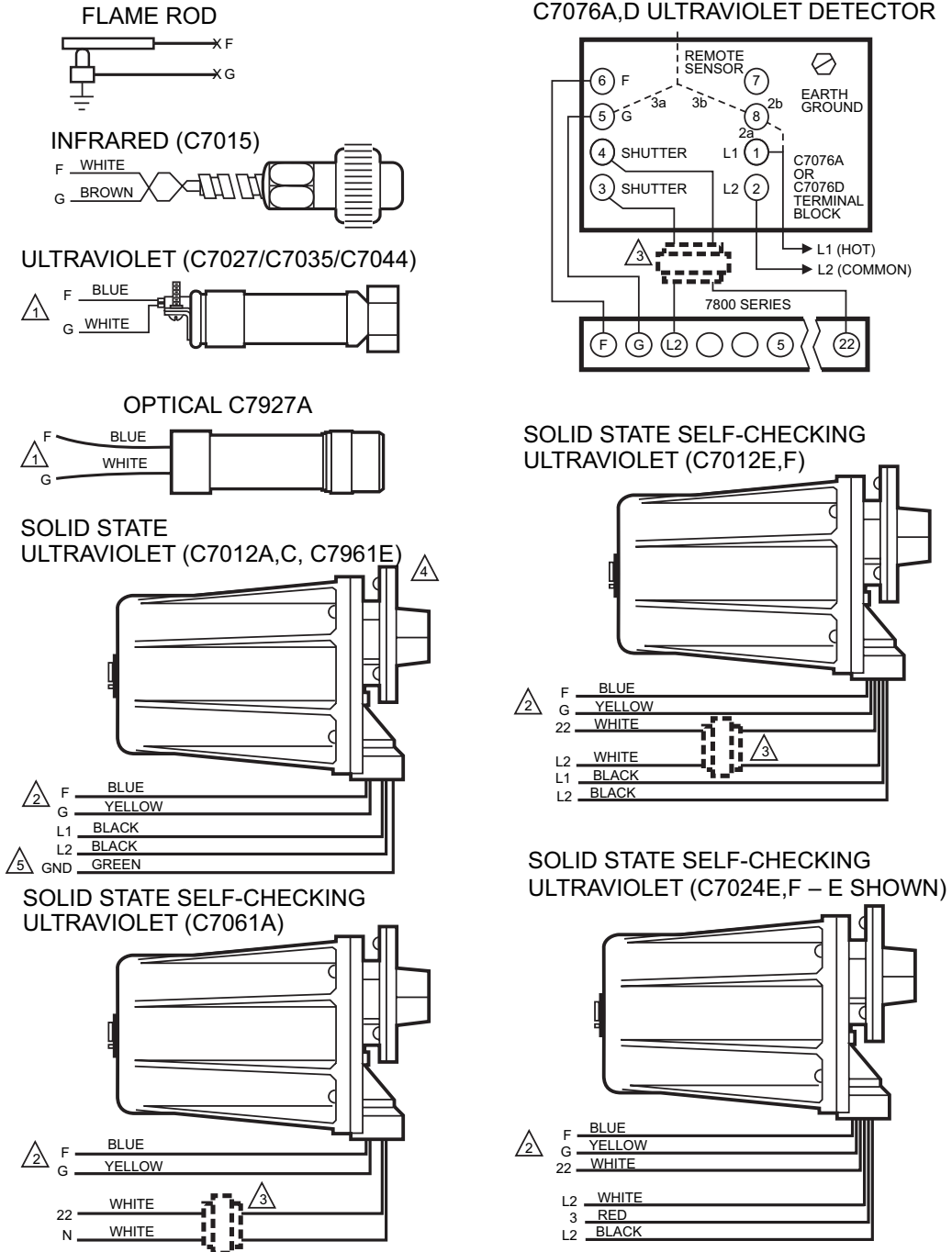
Fig. 2. Installing flame signal amplifier.

Wiring

WARNING

Electrical Shock Hazard.
Can cause severe injury, death or property damage.
 Disconnect power supply before beginning installation. More than one disconnection can be involved.

1. Remove the 7800 SERIES Relay Module from the wiring subbase.
2. Refer to Fig. 3 for proper flame detector wiring.



- 1 **CAUTION: EQUIPMENT DAMAGE HAZARD. INCORRECT WIRING POLARITY CAN DAMAGE OR DESTROY UV SENSING TUBES.** CONNECT FLAME DETECTOR WIRES ACCORDING TO FOOTNOTES 1 AND 2 TO PREVENT UV SENSING TUBE DAMAGE. FLAME DETECTOR LEADS ARE COLOR CODED. THE BLUE LEAD MUST BE CONNECTED TO THE F TERMINAL AND THE WHITE MUST BE CONNECTED TO THE G TERMINAL. THE UV SENSING TUBE IS POLARITY SENSITIVE.
- 2 FLAME DETECTOR LEADS ARE COLOR CODED. THE BLUE LEAD MUST BE CONNECTED TO THE F TERMINAL AND THE YELLOW MUST BE CONNECTED TO THE G TERMINAL. THE UV SENSING TUBE IS POLARITY SENSITIVE.
- 3 **CAUTION: EQUIPMENT DAMAGE HAZARD. INCORRECT VOLTAGE CAN DAMAGE SHUTTER MECHANISM ONLY ON EC7800 SERIES RELAY MODULES.** INSTALL A 200/220/240 VAC TO 120 VAC, 10VA MINIMUM, STEPDOWN TRANSFORMER (NOT PROVIDED) TO DRIVE THE SHUTTER MECHANISM.
- 4 DO NOT USE 0.8/1 SECOND FFRT AMPLIFIER WITH C7012A,C FLAME DETECTOR.
- 5 GND (GREEN) LEAD WIRE ON C7961E ONLY.

M20309A

Fig. 3. Flame detector wiring.

3. Disconnect power supply before making wiring connections to prevent electrical shock and equipment damage.
 4. All wiring must comply with appropriate electrical codes, ordinances and regulations including NEC Class 1 (Line Voltage) wiring where required.
 5. Use recommended wire size and type no. 18 copper conductors TTW(60C) or THW (75C) or THNN(90C).
 6. Use recommended wire routing:
 - a. Keep the flame signal leadwire as short as possible from the detector to the 7800 SERIES Relay Module. The maximum permissible leadwire length depends on the type of leadwire, conduit type and leadwire diameter. The ultimate limiting factor for flame signal leadwire length is the flame signal voltage.
 - b. Do not run high voltage ignition transformer wires in the same conduit with the flame detection wiring.
 - c. If the flame detector leadwires are not long enough to reach the 7800 SERIES Relay Module electrical connectors, make splices in a junction box.
 - (1) Enclose scanner wiring without armor cable in metal cable or conduit.
 - (2) Follow flame detector Instructions.
 7. Check wiring, see Fig. 4.
 8. Install 7800 SERIES Relay Module.
 9. Restore power to the 7800 SERIES Relay Module.
- Flame detector wiring is shown in Fig. 3.

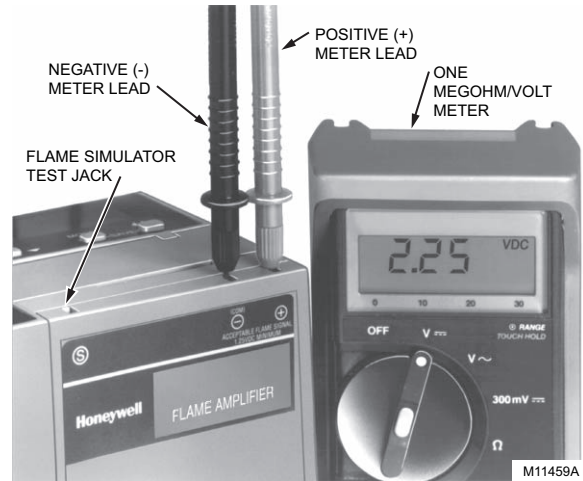


Fig. 4. Flame signal measurement with meter.

1. Connect blue leadwire from detector to terminal F and white leadwire from C7027/C7035/C7044/C7061 to terminal G.
2. Connect blue leadwire from detector to terminal F and yellow leadwire from C7012/C7024/C7961 to terminal G.
3. Follow lightoff Instructions for applicable 7800 SERIES Relay Module.

CHECKOUT

Preliminary Inspection

Make certain that:

1. Wiring connections are correct and all terminal screws and electrical connections are tight.
2. Proper flame failure response time is selected.
3. Amplifier is securely mounted on the 7800 SERIES Relay Module.
4. Detectors are properly positioned and cleaned according to Detector Instructions.
5. Correct combination of amplifier and flame detector is used.

Flame Signal Measurement (Fig. 4)

Flame signal can be measured at the Flame Signal Test Jacks, see Fig. 4, and at the Keyboard Display Module. Measure the flame signal at the appropriate times defined in the Checkout section; see applicable 7800 SERIES Relay Module Instructions. See Table 3 for acceptable and maximum flame signal voltage strengths.

CAUTION

Equipment Damage Hazard.
Improper wiring can destroy ultraviolet sensing tube.

Carefully follow polarity sensitive wiring instructions for the C7027, C7035, C7044, C7012, C7024, C7061, C7961 and C7076. Reversing the leadwires, even momentarily, can destroy the ultraviolet sensing tube.

Measuring Flame Signal With Keyboard Display Module

Consult Instructions for applicable 7800 SERIES Relay Module or Keyboard Display Module.

Measuring Flame Signal with a Volt Ohmmeter

Two test jacks, positive and negative (Com) are accessible on the top of the amplifier when plugged into the 7800 SERIES Relay Module. These jacks are provided for monitoring flame signal strength. Use a one megohm/volt meter to measure the flame signal strength. Connect the positive meter lead (red) to the positive (+) amplifier test jack and the negative meter lead (black) to the negative (-) amplifier test jack. The test jacks use standard 0.180 inch diameter voltmeter probes. A minimum 1.25 Vdc flame signal is required.

NOTE: The probes need to tip toward the relay module in order to make electrical contact.

Table 3. Flame signal.

Flame Detector	Flame Signal Amplifier	Minimum Acceptable Steady dc Voltage ^a	Maximum Expected dc Voltage
Flame Rod C7012A,C ^c	R7847A,B ^b	1.25 Vdc	5.0 Vdc at Keyboard Display Module or on volt-ohmmeter.
C7012E,F ^c	R7847C ^{d,e}		
C7015A	R7848A,B ^b		
C7024E,F	R7824C ^{d,e}		
C7027A C7035A C7044A	R7849A,B ^b		
C7927 C7935 C7915 C7962	R7851B ^b		
C7061A	R7861A ^d		
C7076A,D	R7886A ^d		
C7961E	R7851C ^d		

^a This minimum or stronger signal can be easily obtained if the detector is correctly installed and positioned to properly sense the flame. Obtain this voltage before completing checkout.

^b The flame amplifiers are Ampli-Check® type.

^c Adjust slightly, or face the pipe down, or extend the sight pipe on C7012A,C applications to obtain a maximum flame signal reading less than 5.0 volts.

^d The flame signal amplifier circuitry is tested one-half second every five seconds during burner operation and shuts down the burner if the amplifier fails (all installations).

^e R7824C, Series 2 or greater, and R7847C, Series 4 or greater, pulse the shutter when the flame signal reaches 1.5 Vdc.

NOTE: R7824C, Series 2 or greater, and R7847C, Series 4 or greater, pulse shutter when signal of 1.5 Vac is sensed. Display readings of 0.7 to 2.4 Vdc are common.

The flame signal for the pilot alone, the main burner flame alone, and both together must be steady and a minimum of 1.25V. If the flame signal is unsteady, or less than the minimum acceptable voltage, check the flame detector installation and circuitry in the following procedure.

1. Check the supply voltages at terminals (L1) and L2 (N). Make sure the master switch is closed, connections are correct, and the power supply is of the correct voltage and frequency and is sinusoidal.
2. Check the detector wiring for defects including:
 - a. Incorrect connections.
 - b. Wrong type of wire.
 - c. Deteriorated wire.
 - d. Open circuits.
 - e. Short circuits.
 - f. Leakage paths caused by moisture, soot or accumulated dirt.
3. For a flame rod, make sure:
 - a. There is enough ground area.
 - b. The flame rod is properly located in the flame.

c. Temperature at the flame rod insulator is no greater than 500°F (260°C).

4. For all optical detectors, clean the detector viewing window, lens, and inside of the sight pipe as applicable.
5. With the burner running, check the temperature at the detector. If it exceeds the detector maximum rated temperature:
 - a. Add a heat block to stop conducted heat traveling up the sight pipe.
 - b. Add a shield or screen to reflect radiated heat.
 - c. Add cooling (refer to sight pipe ventilation in the detector Instructions).
6. Make sure that the flame adjustment is not too lean.
7. Make sure the optical detector is properly sighting the flame.
8. If necessary, resight or reposition the detector.
9. If you cannot obtain proper operation, replace the plug-in amplifier.
10. If you cannot yet obtain proper operation, replace the flame detector.

IMPORTANT

If you make any changes to the flame detection system, repeat all required Checkout tests in Checkout section of the Instructions for the applicable 7800 SERIES Relay Module.

Honeywell

Automation and Control Solutions

Honeywell International Inc.
1985 Douglas Drive North
Golden Valley, MN 55422

Honeywell Limited-Honeywell Limitée
35 Dynamic Drive
Scarborough, Ontario
M1V 4Z9

Honeywell International

Control Products
Honeywell Building
17 Changi Business Park Central 1
Singapore 486073

Honeywell Europe S.A.

3 Avenue du Bourget
1140 Brussels
Belgium

**Honeywell Latin American
Region**

480 Sawgrass Corporate Parkway
Suite 200
Sunrise FL 33325



Printed in U.S.A. on recycled
paper containing at least 10%
post-consumer paper fibers.